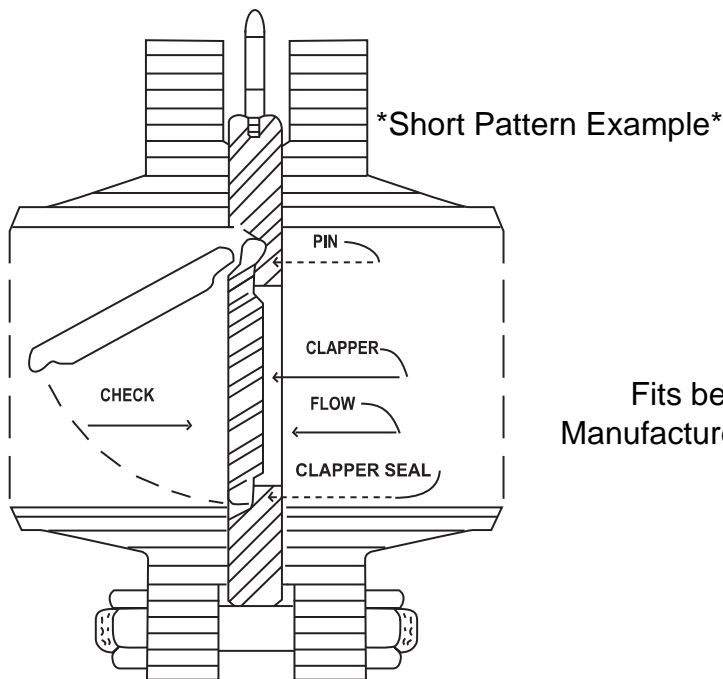




# BJ Champion Valve & Machine, L.P.

16010 Kitzman Road Cypress, Texas 77429 . Tel: 281-357-8887 . Fax: 281-357-8998 . [www.bjchampionvalve.com](http://www.bjchampionvalve.com)

## Installation, Operation and Maintenance



Fits between ANSI Flanges  
Manufactured Per API 6D Specifications

### INSTALLATION AND OPERATION

For horizontal service the valve shall be mounted so that the clapper swings up in the direction the product will flow. For vertical flow up, Install valve with the clapper swinging up in an upward flow. This style will not perform for vertical flow down.

Wafer check valve are furnished for all check valve applications and in suitable materials of construction for all services.

### MAINTENANCE

Due to the simplicity, Quality and Design of our Reduced Port Wafer Check Valves there is minimum maintenance required. The only replaceable part is the O-Ring in the seat. If metal seated, There is nothing to replace. This valve is manufactured to be a integral one piece design so there is no hassle with replaceable parts or parts lists. The Clapper is held in by pin covers which are welded into place, So you will not Lose your Clapper!

281.357.8887